

BEACON S8



DESCRIPTION

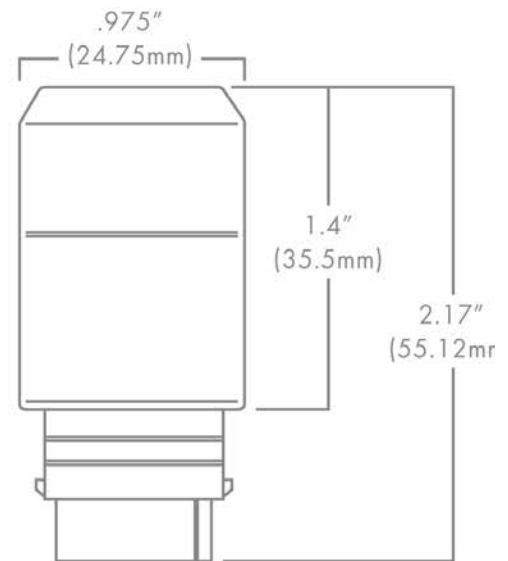
The Brilliance Beacon S8 Wedge is a subcompact LED that utilizes the Epistar chipset and features Brilliance's omni-directional beam pattern. This S8 is energy efficient and water resistant. It is designed specifically for landscape retrofit applications and is ideal for pathway lighting fixtures and step lights. Dimmable with Brilliance Dimmer and most magnetic transformers.

FEATURES

- Ceramic technology
- Dimmable with Brilliance Dimmer and most magnetic transformers
- UL Recognized Components

BEACON S8 SPECS

| | | |
|--------------------|-------------------------|--------------|
| Wattage | 2 | |
| Lumens | 2700K | 3000K |
| 2W | 200 | 245 |
| Beam Spread | Omni-directional | |
| Kelvin Temperature | 2700, 3000 | |
| Operating Range | 8-25 VAC/DC | |
| Replaces | 20W Halogen | |
| CRI | 84 | |
| IP | 65 | |
| Lamp Life (hours) | 35,000 | |
| Warranty (years) | 5 | |



Part Number: **BRI-BEACON-S8-XXXX**

Kelvin

